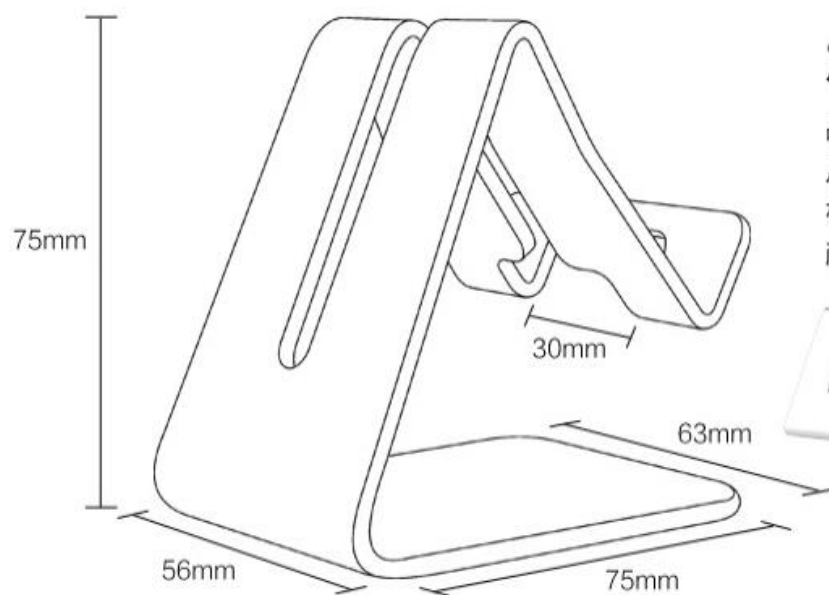


### Product Features

- 1.Portable, adjustable,stable and foldable,easy to take and keep
- 2.Tablets PC or smartphone can be displayed horizontally or vertically
- 3.Have the hole for cable to charger you debice
- 4.Adjustable design give you comfortale feeling to have the best view point
- 5.Different Colors for choose
- 6.Can wind the cable or earphone with this holder

### Product Specification:

- 1.Perfect for all smartphone/ tablet pc
2. Materials: Aluminum Alloy Metal+Silicone
- 3.Color: Black,Golden,Silvery,Rose Golden,Red
- 4.Weight:100g
- 5:Size:63x75x75mm
6. Packaging: In box



\* UPDATED SOLID / EXQUISITE WORKMANSHIP: Smooth edge, simple, lightweight, perfectly works with your smart phones

\* COMPATIBILITY: The cell phone desk stand, compatible with phones in 4-8 inches, although with a case

\* STURDY / SILICONE RUBBER PROTECTED: Phone stand, designed on a low center of gravity

makes it stable, and silicone rubber cushions of hooks, bottom protect the phone from scratches and sliding

\* ADVANTAGES: Suitable height, perfect angle of view when using Facetime YouTube, easy to read message, Facebook, emails, cooks from a recipe online