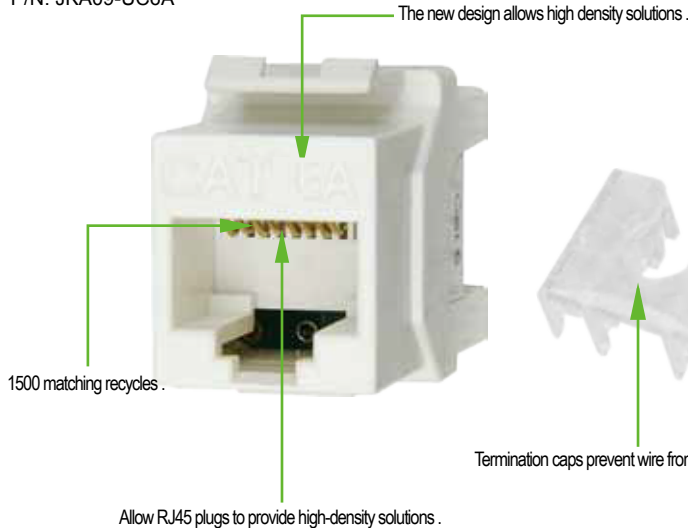


CAT 6A UTP KEYSTONE JACK

P/N:JKA09-UC6A

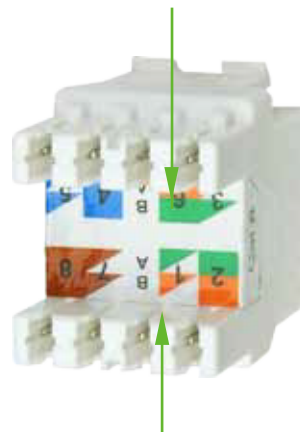
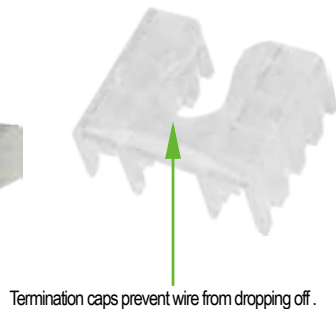
S/N:G02-002

P/N: JKA09-UC6A

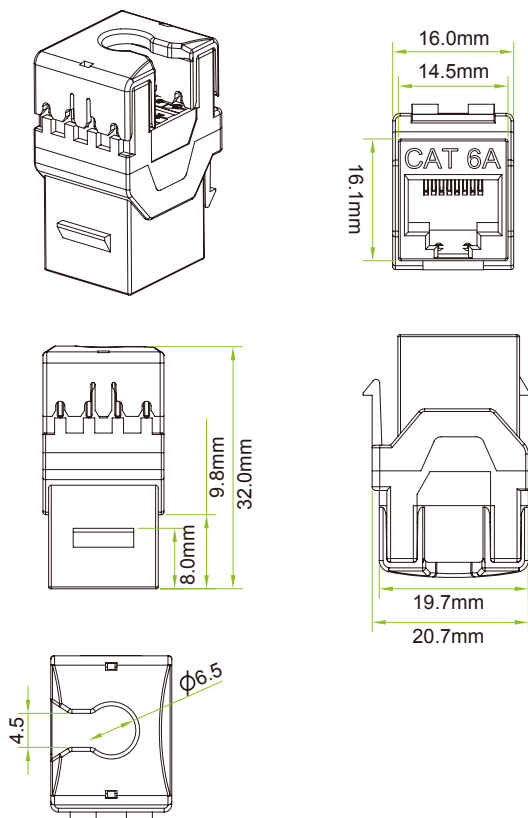


KEYSTONE JACK, CAT6A, UTP, T568A/B, 8 Positions 8 conductors, accept 22-26AWG conductors, different colors,180degree.

Compliant with Category 6 component and channel requirement of T568A and T568B.



PRODUCT FIGURE



DESCRIPTION

This series keystone jacks work together with high speed cables, cords and panels to provide performance beyond proposed Category 6 standards, a new feature of this series jack is a universal colored wiring label that eliminates the need for separate codes for T568A/B wiring scheme.

APPLICATION

- Available in Cat6, T568A/B wiring, meet or exceed TIA/EIA Cat6 requirements
- Housing : high temperature thermoplastic
- Compact jack design, 8 positions and 8 conductors
- Contact : phosphor bronze , phosphor bronze with 6 to 50μ" gold plate
- Accept 22-26 AWG solid with a insulation diameter of 0.4-0.6 mm
- Easy to be terminated, low attenuation loss and high return loss
- High reliability and superior performance
- Available in different colors

CONSTRUCTION

Description	Parameter
Contact resistance(max)	100mΩ
Insulation resistance (min)	500MΩ
Return loss (dB)	5.8dB
Next (dB)	4.7dB
Ps next(dB)	5.5dB

CAT 6A UTP KEYSTONE JACK

P/N:JKA09-UC6A

INSTALLMENT INSTRUCTIONS



A View the color on the module to determine proper location of the conductors based upon preferred wiring scheme.



B Fan out cables based on desired wiring scheme, cut the pair separator and rip cord(if present) as close as possible to the jacket. Note: Be careful not to nick conductors.



C Insert each wire into the appropriate channel according to the color code on the module, keep the cable perpendicular to the block.



F Terminate wires using Linkbasic tool (P/N: TLA11) or equivalent.



G Install dust caps by snapping into place as shown. Note: The cable jacket should remain outside the dust caps as shown.



H Install dust caps by snapping into place as shown.



JKA09-UC6A

Cat6A UTP Keystone Jack (180°C)

ORDER INFORMATION

Part number	Description	Standard Color	Inner box	Carton	Carton measurement	Carton weight
JKA09-UC6A	Cat6A unshielded keystone jacks (180 degree)	White	25PCS	250PCS	L 53.5cm×W 31.3cm×H 23.4cm	3.80KG