



LINKBASIC

# CAT 5E UTP SYSTEM PRODUCTS

CAT 5E UTP KEYSTONE JACKS

P/N: JKB06-UC5E

S/N:C06-005

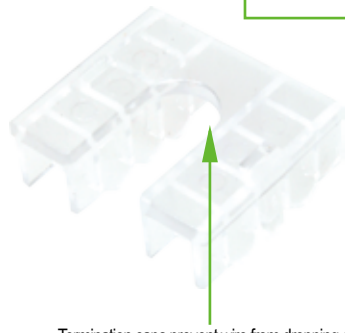
P/N: JKB06-UC5E

Compliant with Category 5E component and channel requirement of T568A and T568B.

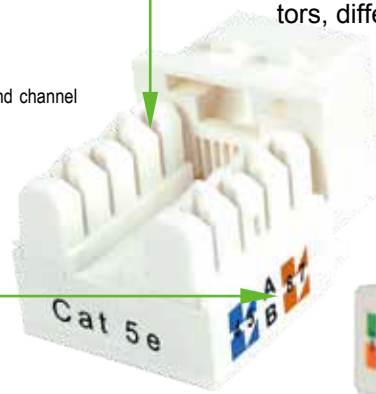
The V style IDC contacts flex not fatigue when terminated.

KEYSTONE JACK, CAT5E, UTP, T568A/B, 8 Positions 8 conductors, accept 22-26AWG conductors, different colors,90degree. S/N:C06-005

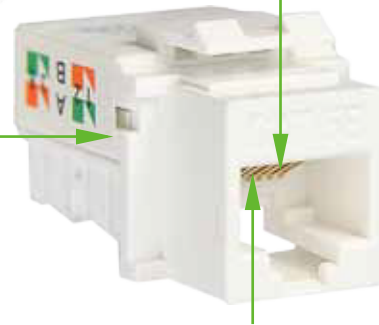
1500 matching recycles.



Termination caps prevent wire from dropping off.

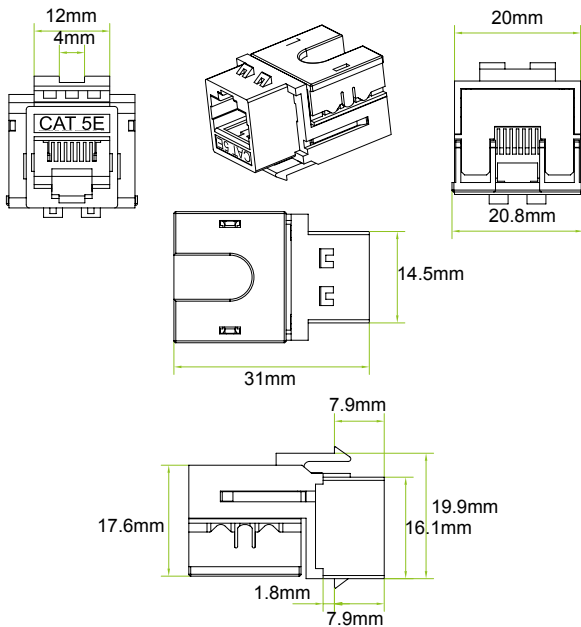


The new design allows high density solutions.



Allow RJ45 plugs to provide high-density solutions.

## PRODUCT FIGURE



## DESCRIPTION

Horizontal style Cat5E 90 degree keystone jacks, it features dual color-coded wiring label with both T568A/B wiring pattern. Rear termination field for easy termination of a jack while installed in a wall plate, surface mount boxes, and blank patch panels for a wide variety of Applications.

## APPLICATION

- Available in Cat 5E, T568A/B wiring schemes, meet or exceed TIA/EIA Cat5E requirements
- Housing : high temperature thermoplastic
- Compact jack design,8 positions and 8 conductors
- Contact : phosphor bronze , phosphor bronze with 6 to 50μ" gold plate
- Accept 22-26 AWG solid with a insulation diameter of 0.4-0.6 mm
- Easy to be terminated, extremely low attenuation loss and high return loss
- High reliability and superior performance
- Available in different colors

## CONSTRUCTION

| Description                   | Parameter |
|-------------------------------|-----------|
| Contact resistance(max)       | 100mΩ     |
| Insulation resistance ( min ) | 500MΩ     |
| Return loss ( dB )            | 5.8dB     |
| Next ( dB )                   | 4.7dB     |
| Ps next(dB)                   | 5.5dB     |



LINKBASIC

WWW.LINKBASIC.COM

CAT 5E UTP KEYSTONE JACKS

Copper solution



LINKBASIC

# CAT 5E UTP SYSTEM PRODUCTS

## CAT 5E UTP KEYSTONE JACKS

P/N: JKB06-UC5E

### INSTALLMENT INSTRUCTIONS



**A** Strip back cable jacket using Linkbasic tool (P/N: TLD01) or equivalent.



**B** View the color on the module to determine proper location of the conductors based upon preferred wiring scheme.



**C** Insert each wire into the appropriate channel according to the color code on the modular's both sides.



**F** Terminate wires using Linkbasic tool (P/N: TLA01) or equivalent.



**G** Install dust caps by snapping into place as shown.



JKB06-UC5E

Cat 5E UTP Keystone Jack (90°)

### ORDER INFORMATION

| Part number | Description                                 | Standard Color | Inner box | Carton | Carton measurement         | Carton weight |
|-------------|---|----------------|-----------|--------|----------------------------|---------------|
| JKB06-UC5E  | Cat5e unshielded keystone jacks (90 degree) | White          | 25PCS     | 250PCS | L 53.5cm×W 31.3cm×H 23.4cm | 4.20KG        |

CAT 5E UTP KEYSTONE JACKS

Copper solution



LINKBASIC

WWW.LINKBASIC.COM