

Parabolic antenna JRME - 680 -10/11

Antenna JRME – 680 – 10/11 is designed for microwave links at the frequency band 10 and 11 GHz. Precise performance with deep reflector dish and collar complies with standard ETSI class 3 and ACMA - RALI FX3 Grade B.

Electrical parameters:

Frequency range	10.0 – 12.0 GHz
Gain – Low frequency	34.1 ± 1 dBi
Gain – High frequency	36.0 ± 1 dBi
Front to back ratio	≥ 61 dB
XPD	≥ 32 dB
Beamwidth _{-3 dB}	3° ± 0.5°
Return loss	≥ 18 dB _{/10.3 – 11.7 GHz}
Polarization	Linear, vertical/horizontal
Electrical Compliance	US FCC Part 101A 10.550 – 10.680 GHz US FCC Part 101B 10.7 – 11.7 GHz Class 3 ETSI EN 302-217-4-2 Grade B ACMA - RALI FX3

Mechanical parameters:

Parabola	∅ 680 mm, Aluminium alloy
Radome	UV steady plastic ABS
Input/output	Circle waveguide ∅ 19 mm
Installation on mast	∅ 40 - 120 mm
Operating wind load	180 km/h (112 mph)
Survival wind load	240 km/h (149 mph)
Weight of antenna	7.3 kg (16.1 lbs.)
of holder	3.2 kg (7.0 lbs.)
Shipping dimension	
of antenna	800 x 800 x 515 mm/ 11.1 kg (24.5 lbs.)
of holder	180 x 170 x 165 mm/ 3.5 kg (7.7 lbs.)

Parabolic antenna JRME - 680 -10/11

Usage:

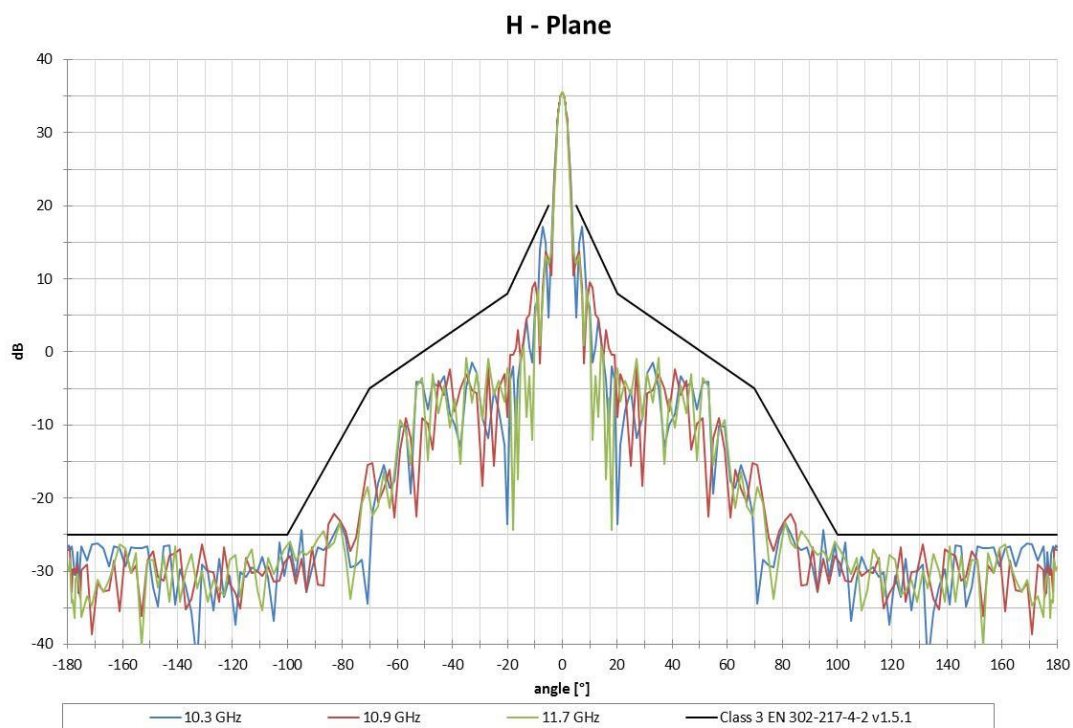
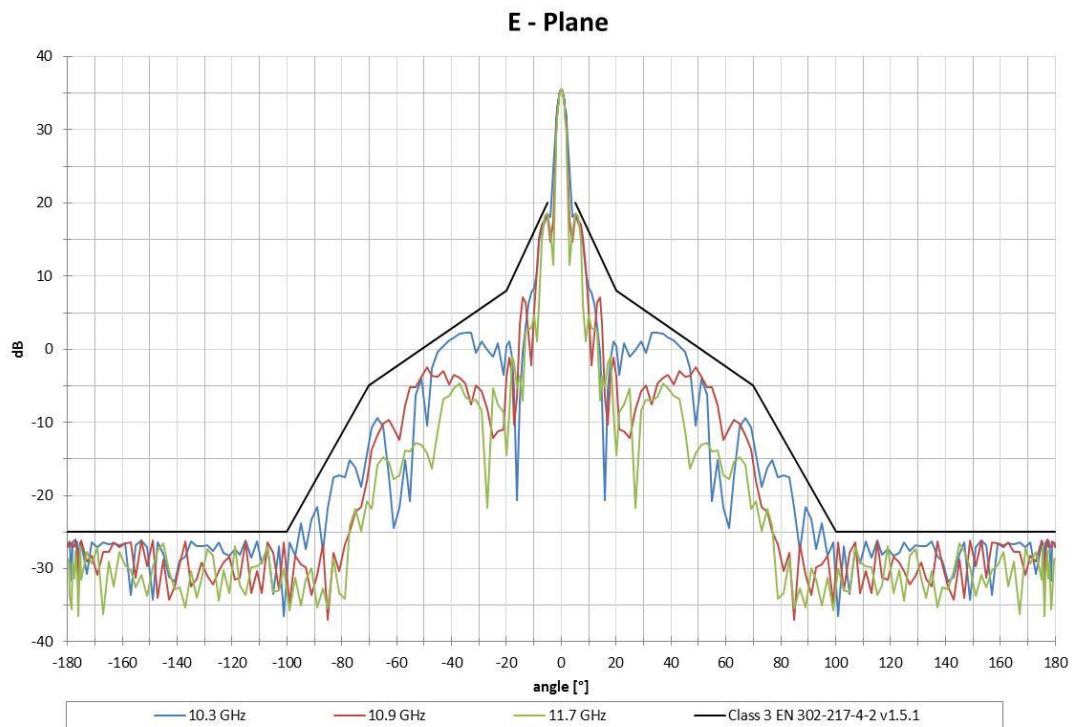
- deep parabola and collar for better parameters
- **easy to assembly:** first the holder and then the antenna only by 2 screws
- **fine setting** elevation (of gradient) and azimuth $\pm 20^\circ$
- extreme wind stability

The antenna is supplied with a holder that allows easy mounting on a mast. The holder can be installed separately on the mast. Subsequently, you can simply hang up the antenna with microwave unit into it. The holder allows precise adjustment in both directions. Ready for right and left side mounting.

In the areas with the expected occurrence of the strong winds mounting on the mast with minimal \varnothing 50 mm is recommended.

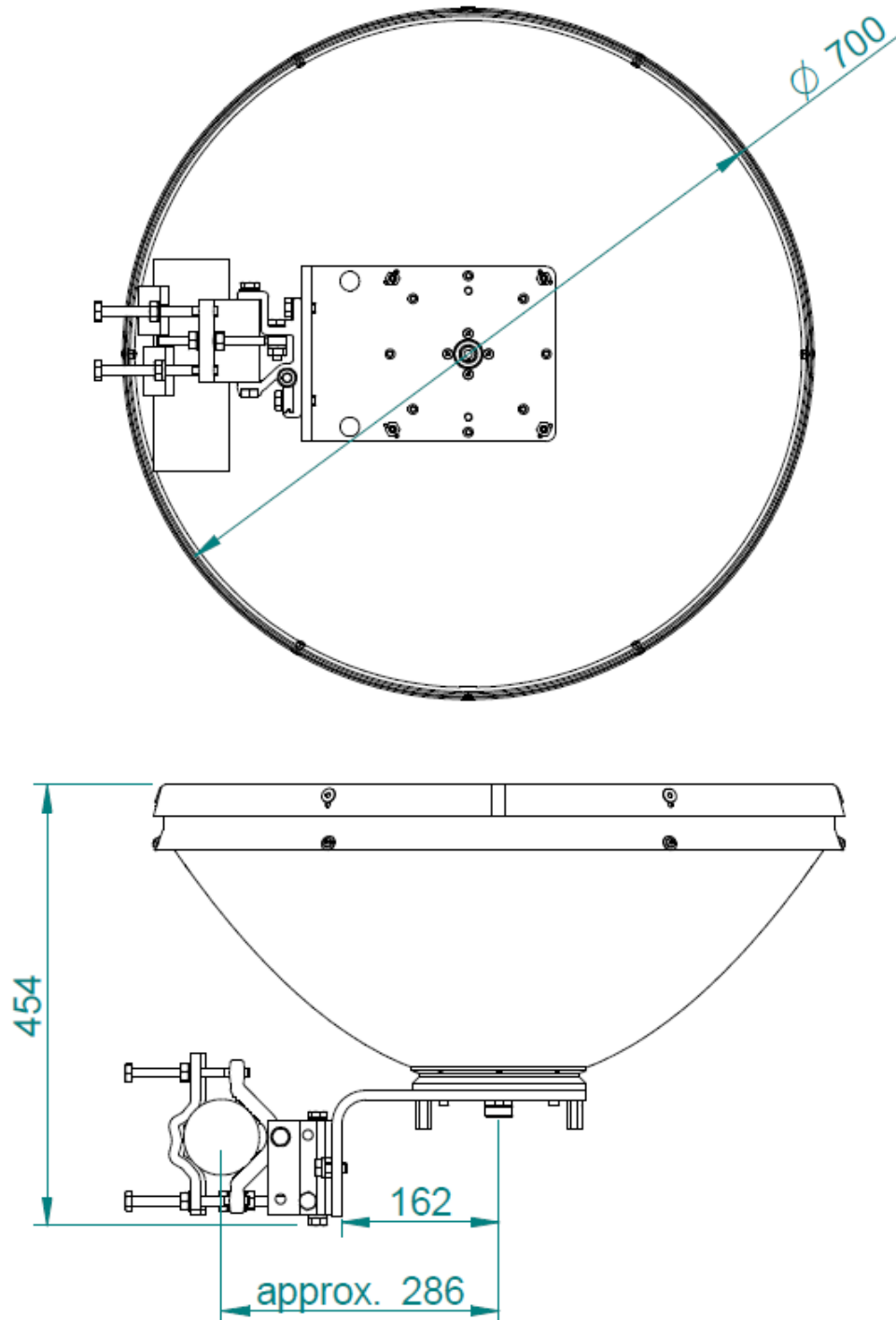
Parabolic antenna JRME - 680 -10/11

Measurement of radiation pattern:



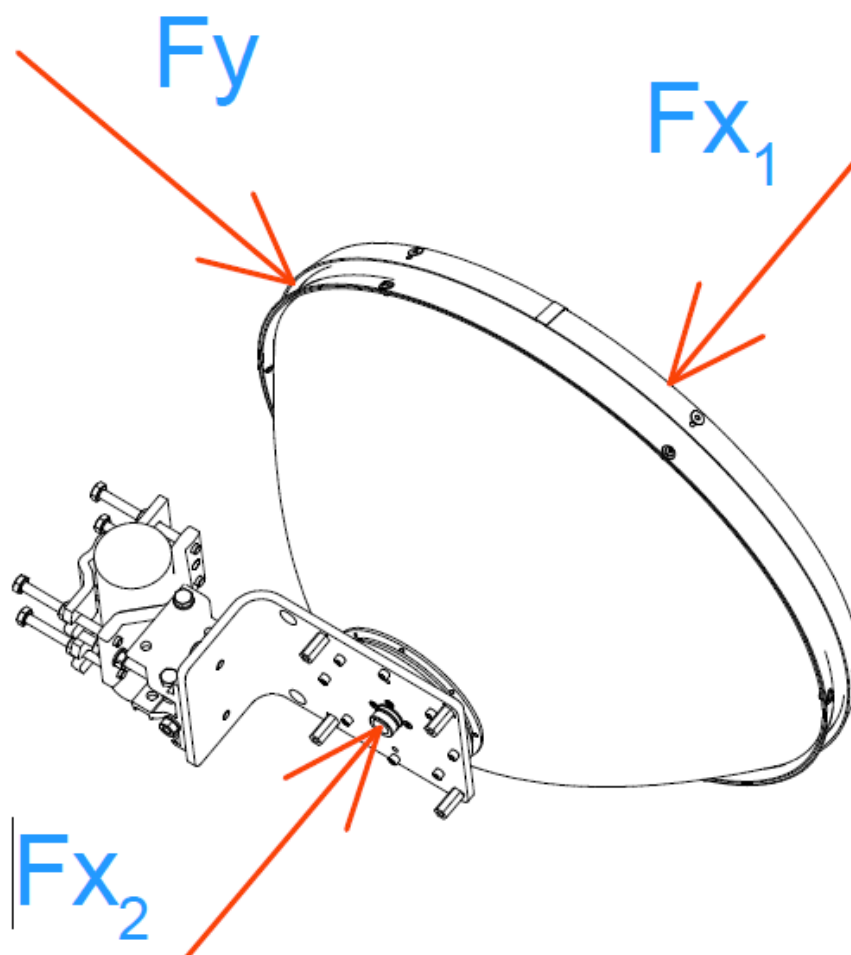
Parabolic antenna JRME - 680 -10/11

Outline:



Parabolic antenna JRME - 680 -10/11

Wind loading:



Wind Loading at 200km/h (125 mph)		
Direction	Force [N]	Force [lbf]
Fx1	797	180
Fx2	809	181,8
Fy	86	19,3