

ePMP Connectorized Radio Mounting Bracket Specifications

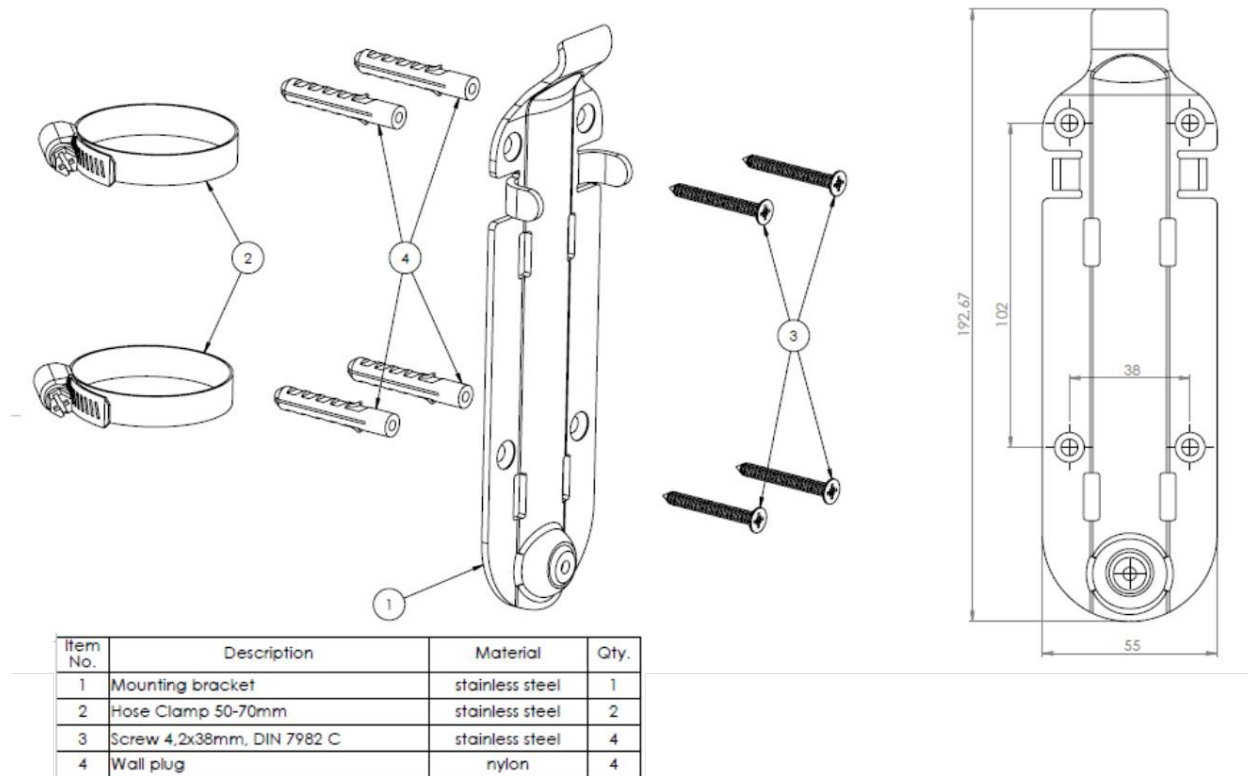
Description

The ePMP Connectorized Radio Mounting Bracket is designed to allow ePMP Connectorized Radios (both GPS Synchronized and Unsynchronized versions) to be mounted to a pole or to a wall. The part numbers for the individual bracket and a pack of 50 brackets are shown below:

- N000900L006A - ePMP 1000: Connectorized Radio Mounting Bracket
- N000900H006A - ePMP 1000: 50 Pack of N000900L006A: Connectorized Radio Mounting Bracket

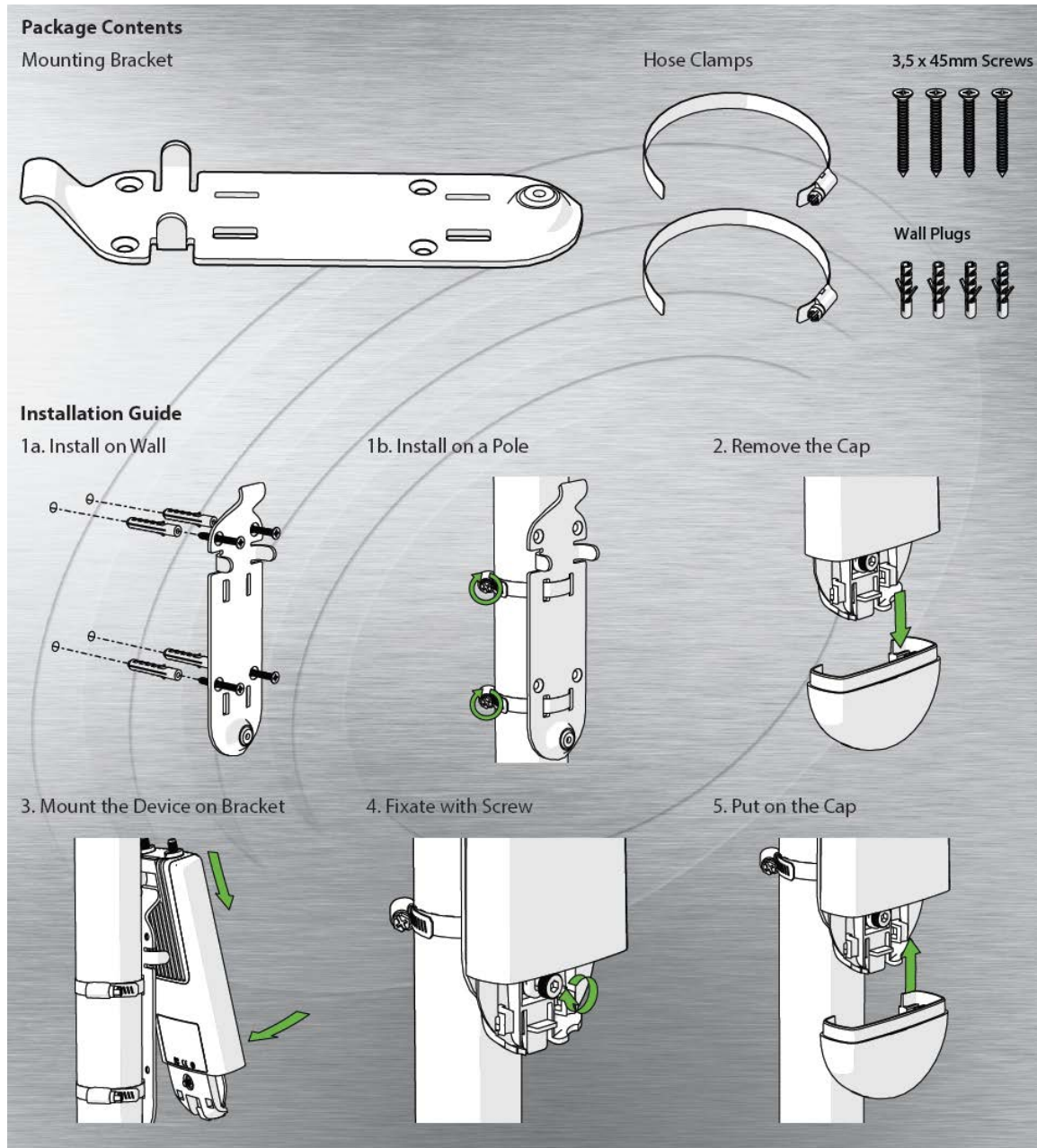
The following provides dimensions and installation instructions for the bracket as well as a rendering of the packaging of each of the brackets

Mounting Bracket Dimensions



Mounting Bracket Installation Instructions

The diagram below is printed on the packaging for the mounting bracket and is shown here to illustrate how it is installed.



Packaging

The following renderings illustrate the packaging of the brackets and the packing of the individual brackets within the 50 pack carton

