

WCE CABINET

P/N:WCE

S/N:N07

P/N:WCE

CABINET,E style,wall mount.



STANDARD

Comply with ANSI/EIA RS-310-D, DIN41491; PART1, IEC297-2, DIN41494; PART7, GB/T3047.2-92 standard.
Compatible with metric, ETSI and 19' international standard.

FEATURES

- Exquisite design with precise dimension and craftsmanship.
- International popular smoky-gray glass front door.
- Easily be mounted on wall, or placed on floor after installed castor or feet.
- Loading capacity: 60KG.
- Top and bottom wiring channel could be closed.
- Removable front door and side panel, easily installing and maintaining
- Surface finish: Degreased, acid cleaned, phosphoric, water cleaned, electro-static powder coating, meet ROHS standard.
- Optional color: black/gray
- Optional accessories.



MATERIALS

Cool rolled steel
Thickness: mounting rail:1.2mm
Else in 0.8mm
Tempered smoky-gray glass with thickness of 5mm.

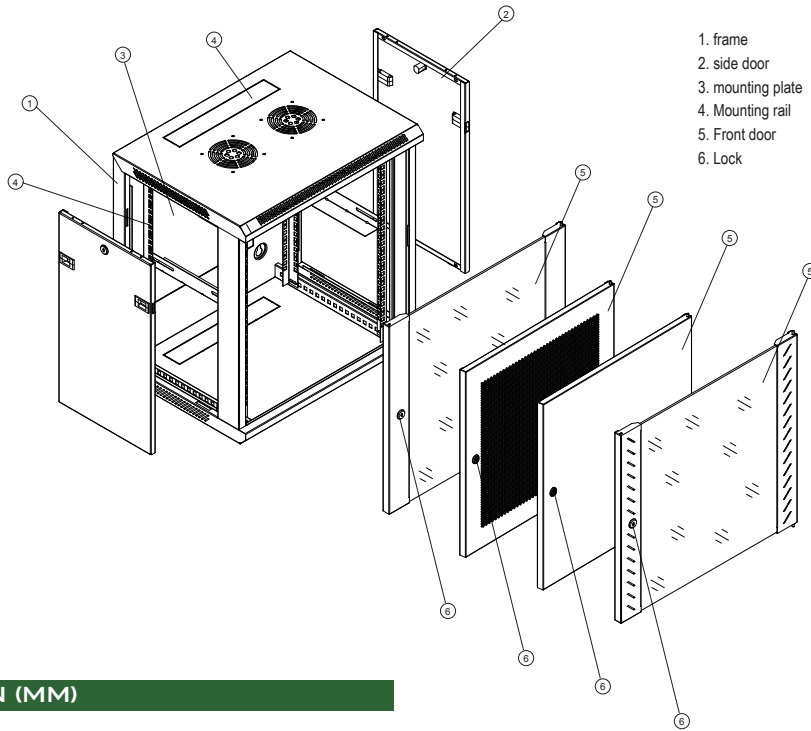
APPLICATION

Widely used in network system, educational system, broadcasting system and telecommunication system. Suitable for placing server computer and precision electronic equipments.

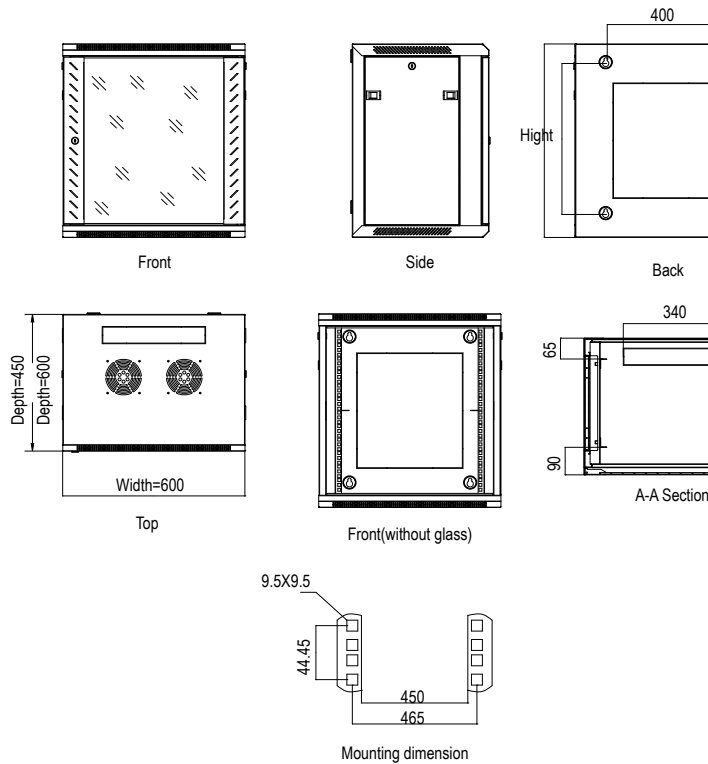
WCE CABINET

P/N:WCE

STRUCTURAL(SPLIT TYPE)



DIMENSION (MM)



WCE CABINET

P/N:WCE

STANDARD ACCESSORIES (WCE)

S/N	Specification	Qty	Unit	Material	surface finish	Remark
1	Frame	1	Pcs	0.8mm cold rolled steel	Powder coated	---
2	Front door	1	Pcs	0.8mm cold rolled steel	---	B type door
3	Side door	2	Pcs	0.8mm cold rolled steel	Powder coated	With lock
4	lock	1	Pcs	---	---	---
5	Mounting rail	4	Pcs	1.2mm cold rolled steel	Powder coated	---
6	Mounting plate	1	Pcs	0.8mm cold rolled steel	Powder coated	---
7	Cable inlet cap	2	Pcs	0.8mm cold rolled steel	Powder coated	---
8	Screws &nuts	10	sets	---	---	---
9	wrench	1	Pcs	---	---	---

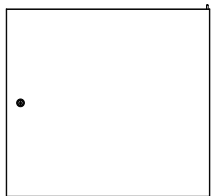
ORDER INFORMATION

Part No	Capacity/U	Width/mm	Depth/mm	Height/mm	Carton measurement			Volume/CBM
					Width/m	Depth/m	Height/m	
WCE06-645-*☆	6U	600	450	368	0.67	0.52	0.43	0.15
WCE09-645-*☆	9U	600	450	501	0.67	0.52	0.56	0.20
WCE12-645-*☆	12U	600	450	635	0.67	0.52	0.70	0.24

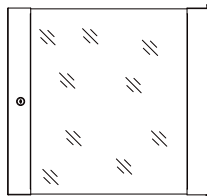
RAMARKS

* = Front door

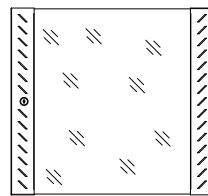
DOORS



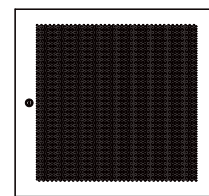
A=Steel Casement Door



B=Smoky-grey glass door



C=Smoky-grey glass door with frame punched



D=Perforation steel door with high ventilation level(hexagonal type)

COLOR

☆ = Colors

A= Black(RAL9004)

B=Gray(RAL7044)

